

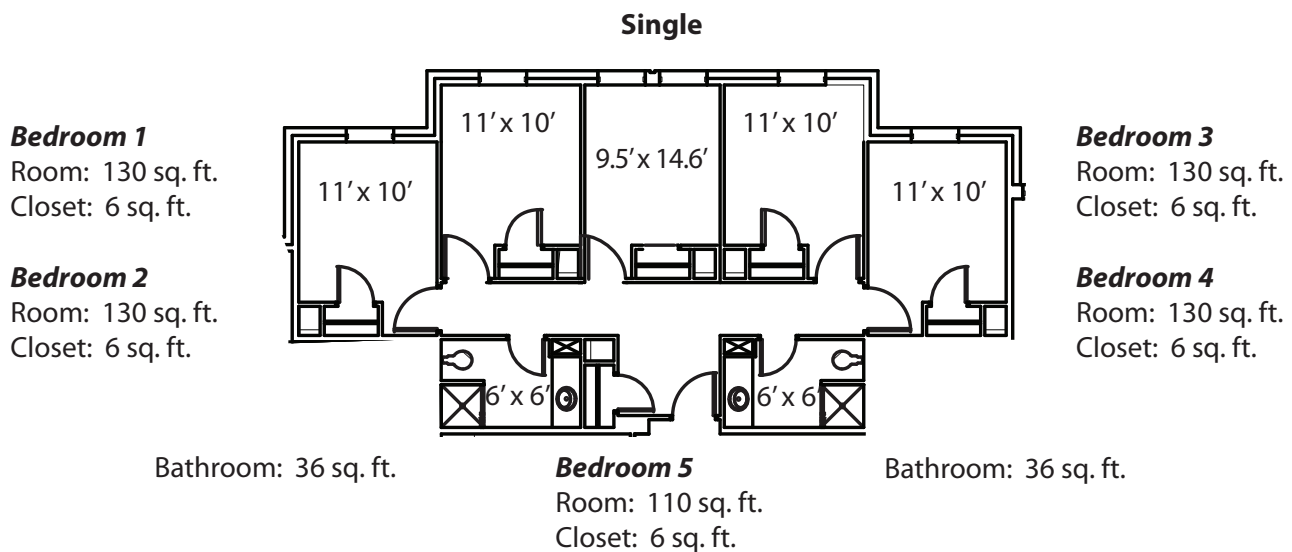
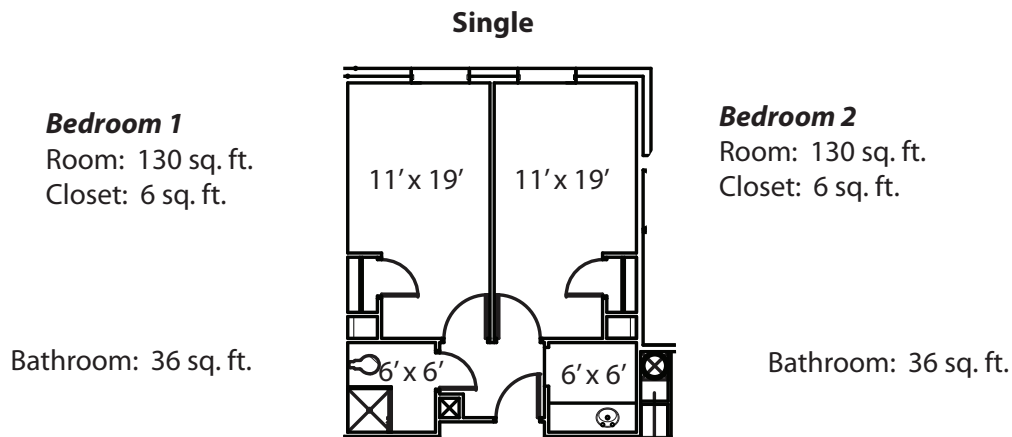
Residence Hall Room Styles

See these layouts online at www.housing.utah.edu.



Sage Point

Single Rooms with either two or five bedrooms.
Available to: First-Year Students



* These floor plans are approximate only and may not reflect actual configurations. There may be variation in size.

Residence Hall Room Styles

See these layouts online at www.housing.utah.edu.



Sage Point (continued)

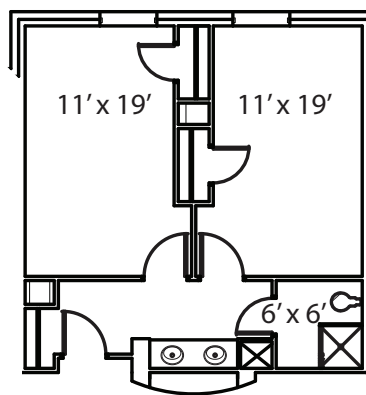
Two-bedroom Double and Double Double Single

Available to: First-Year Students

Double

Bedroom 1

Room: 209 sq. ft.
Closet: 9 sq. ft.



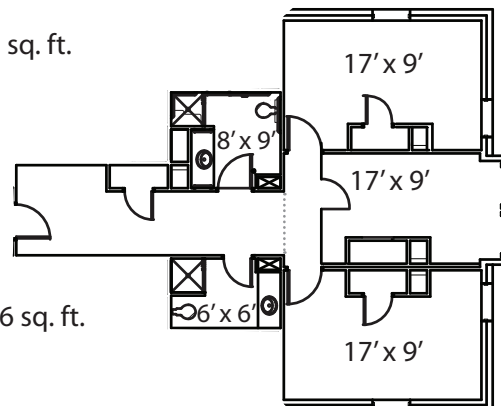
Bedroom 2

Room: 209 sq. ft.
Closet: 9 sq. ft.

Bathroom: 36 sq. ft.

Double Double Single

Bathroom: 72 sq. ft.



Bathroom: 36 sq. ft.

Bedroom 1 (Double)

Room: 153 sq. ft.
Closet: 9 sq. ft.

Bedroom 2 (Single)

Room: 153 sq. ft.
Closet: 9 sq. ft.

Bedroom 3 (Double)

Room: 153 sq. ft.
Closet: 9 sq. ft.

*These floor plans are approximate only and may not reflect actual configurations. There may be variation in size.

Residence Hall Room Styles

See these layouts online at www.housing.utah.edu.



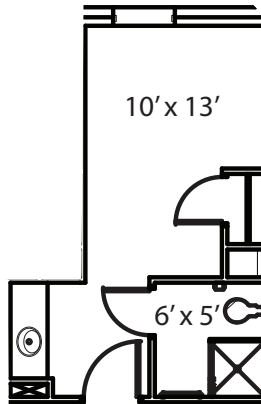
Sage Point (continued)

Super Single and Super Double
Available to: First Years * **limited**

Super Single

Bedroom

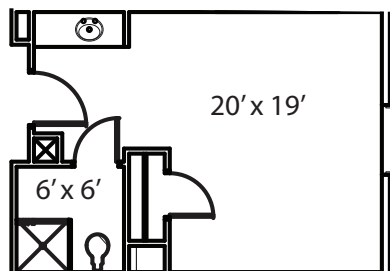
Room: 130 sq. ft.
Closet: 7 sq. ft.



Bathroom: 30 sq. ft.

Triple

Bathroom: 36 sq. ft.



Bedroom

Room: 380 sq. ft.
Closet: 8 sq. ft.

* These floor plans are approximate only and may not reflect actual configurations. There may be variation in size.